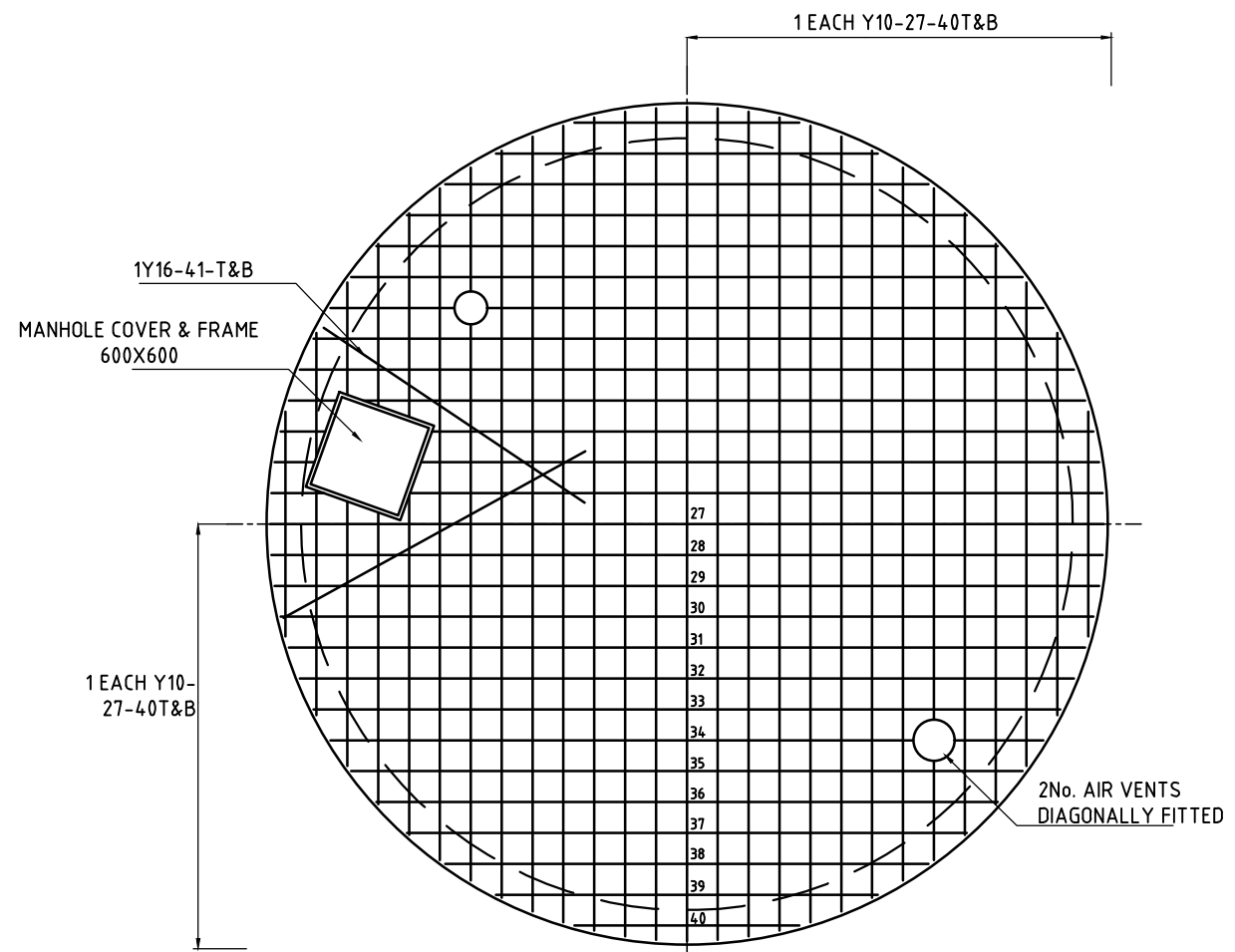


**TOP REINFORCEMENT  
OF FLOOR SLAB**  
SCALE 1:50



**REINFORCEMENT OF ROOF SLAB**  
SCALE 1:50

COUNTY GOVERNMENT OF  
KERICHO



**50 M<sup>3</sup> MASONRY STORAGE TANK  
(NOTES)**

DESIGNED	C.K BORE	MARCH 2019	SHEET 3 OF 3
DRAWN	C.K BORE	MARCH 2019	SCALE: AS SHOWN
SURVEYED	C.K BORE	MARCH 2019	DRG. NO.
CHECKED	ENG. L.ANDREW	MARCH 2019	C.o.G
APPROVED	A.K.L	MARCH 2019	013-TYPE-084B