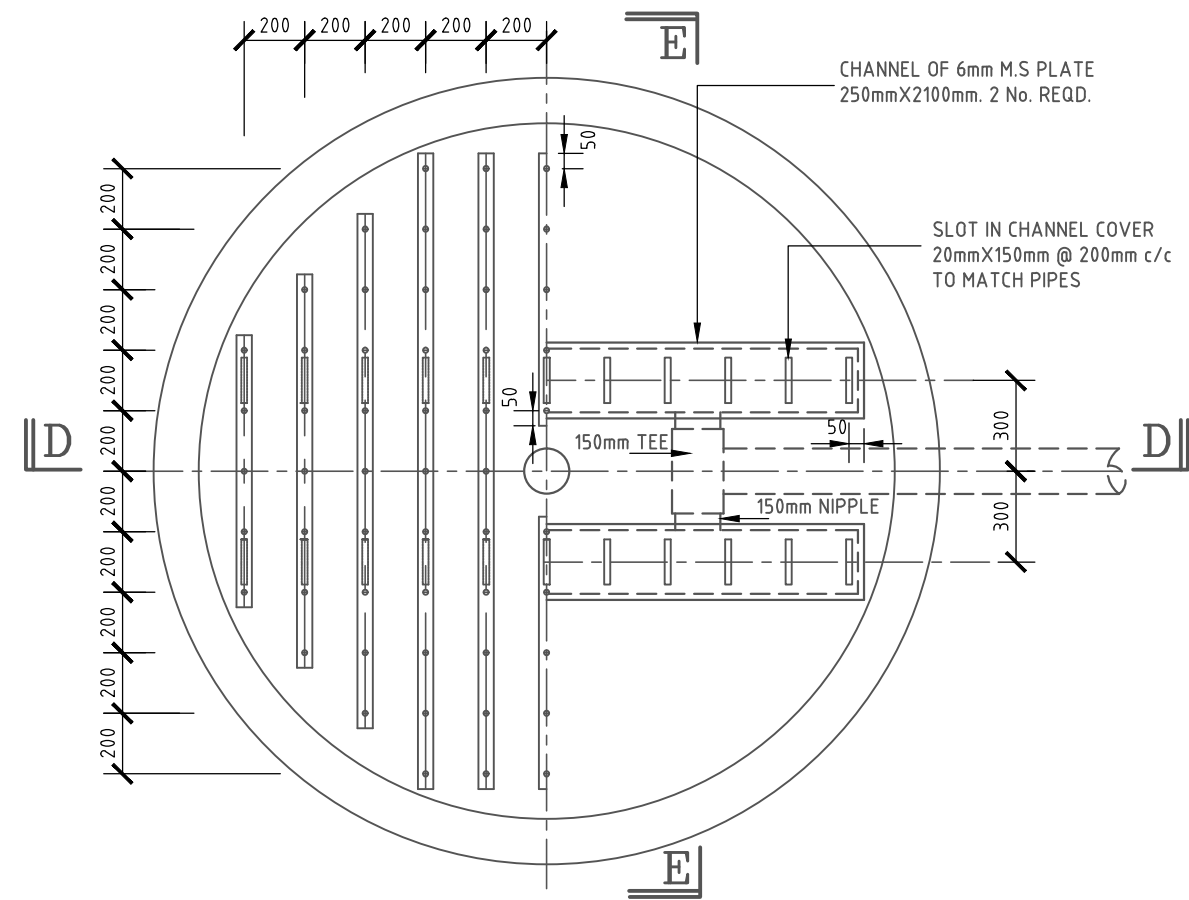
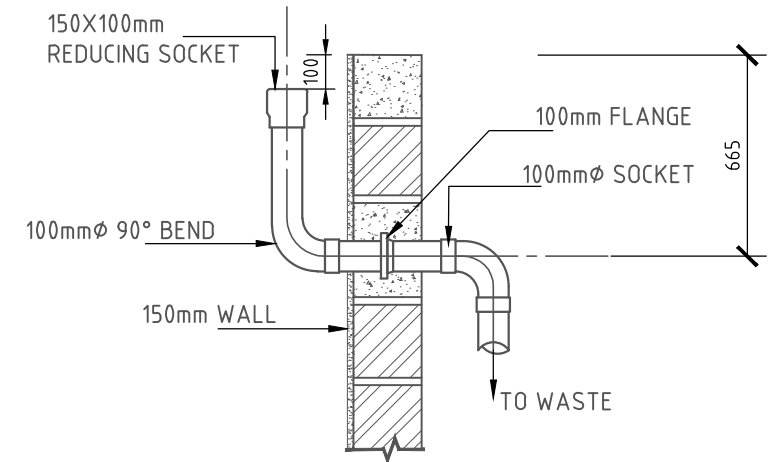


SECTION A-A
SCALE 1:50

NOTE
PIPEWORK TO BE ARRANGED
SO THAT A MINIMUM WORKING
DEPTH OF 250mm IS ASSURED.

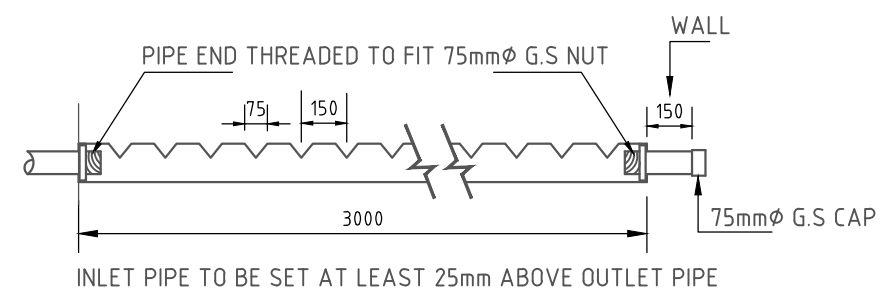


PLAN SHOWING DETAIL 'F'
SCALE 1:25



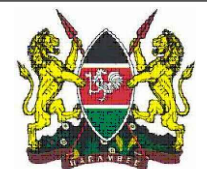
TO BE SITUATED AT ANY CONVENIENT POSITION IN THE PERIMETER WALL

DETAIL OF OVERFLOW PIPE
SCALE 1:25



COLLECTION WEIR
SCALE 1:25

COUNTY GOVERNMENT OF KERICHO
DEPARTMENT OF WATER, ENVIRONMENT,
ENERGY, FORESTRY & NATURAL RESOURCES



20 m³/H CAPACITY COMPOSITE FILTRATION UNIT
(USEFUL RANGE 15-25m³/H)

DESIGNED	C. BRENDHECKE		SHEET 1 OF 4
DRAWN	P. MATUNDURA	APRIL 1973	SCALE: AS SHOWN
DIGITIZED	ALUCHID M.F	JUNE 2009	DRG. NO.
CHECKED	ENG. B.I KASABULI	JUNE 2009	M.W.I
APPROVED	D.W.S	JUNE 2009	F2/15A